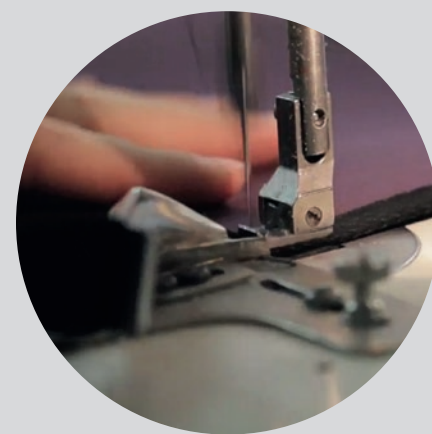




YACHTINGLINE

marine sunshades



MASTERS OF SHADE AND STYLE

ITALIAN CRAFTSMANSHIP

Yachting Line by Gardenart, offers a premium line of sunshades worldwide, designed especially for luxury yachts and speedboats.

Famous for artisan craftsmanship, attention to detail and select materials, **Yachting Line's** range of products represents the highest standards in terms of both quality and concept, while at the same time ensuring perfect customization of size, color, materials and finishes.

Our design team turns ideas into realities.

QUALITY AND INNOVATION

Ongoing research of materials and design have allowed us to develop innovative solutions both in terms of canopy fabrics as well as frame designs. **Yachting Line's** laboratories in Florence specialize in crafting quality products that are functional, durable and simply beautiful.

The **Multivalvola® System** canopy is the perfect blend of excellence and innovation. This exclusively patented system has revolutionized the very idea of sunshades.



› OUR MODELS

GIRASOLE
EVOLUTION
p. 6/7

GIGLIO
EVOLUTION
p. 8/9

POKER
EVOLUTION
p. 12/13

GIRASOLE
EASY
p. 14/15

VELA
EVOLUTION - TS
p. 18/19

CUSTOMIZED DESIGN

Our products are customizable to fit every need. You can vary the height, canopy size, framing materials and canopy fabrics to make each and every creation unique.

Every project receives careful assessment, taking into consideration both product design and the technical characteristics of the location, to produce a **perfect combination of aesthetics and function**.

Once the technical specifications have been established, a number of **preliminary designs options** will be presented for your consideration, tailored to the site where the sunshade will be installed.

We assist our clients at every step along the way, from design to post-production. We help you choose the **most suitable materials**, always with special attention to **detail** and **quality control** in all our products. We assist our clients in the use and maintenance of our sunshades and we guarantee **after-sale assistance**.

A SPECIAL THANKS TO CLIENTS WHO HAVE COME TO TRUST OUR BRAND

AMELS
AZIMUT YACHTS
BAGLIETTO
BENETTI
BENETTI SAIL DIVISION
BEST YACHTS
BLOHM+VOSS
CANTIERI DI BAIA
CHRISTENSEN SHIPYARDS
CMB YACHTS
CODECASA
CRN
DE BIRS YACHTS

DE VRIES
EUROYACHT CANTIERE
NAVALE
FEADSHIP
FERRETTI CUSTOM LINE
FILIPPETTI YACHT
FINCANTIERI
FRASER YACHTS
ISA YACHTS
LÜRSEN
MONDO MARINE
MOONEN SHIPYARDS
OCEANCO

OVERMARINE GROUP
PALUMBO GROUP
PERSHING
PISA SUPERYACHTS
PROTEKSAN-TURQUOISE
YACHTS
RIVA
ROSSINAVI
ROYAL HUISMAN
SANLORENZO
TECNOMAR
VSY



photo by Thierry Ameller - Courtesy by Benetti

TECHNICAL DETAILS

Canopy	Multivalvola® System or Classic
Fabric	Ferrari micro-perforated Soltis®, Ferrari micro-perforated Batyline®, Parà acrylic Tempotest®
Colors	Wide range available from our pattern book
Support	Mirror finished stainless steel AISI 316L (example of sections: Ø 60,3 mm, Ø 76 mm, Ø 88,9 mm)
Frame	Anodized aluminum
Opening	AISI 316L stainless steel winch
Protective bags	Seatextile® Fabric
DR (optional)	With zipper on support

SIZE (cm)

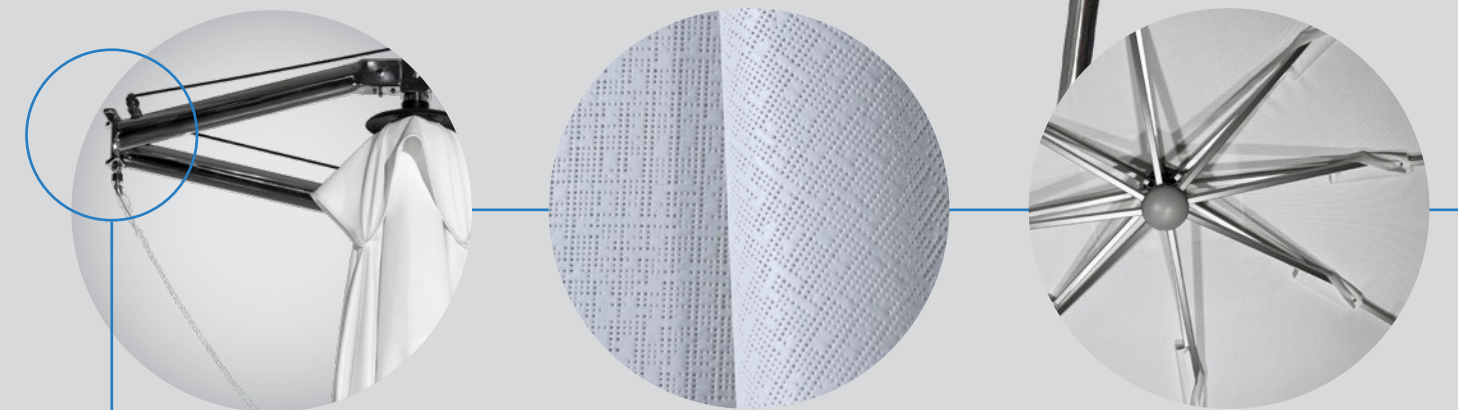
		
250x250 300x300 350x350 385x385	200x300 300x400	Ø 250 Ø 300 Ø 350 Ø 385

Custom sizes available on demand



Multivalvola® System

Classic



DR (double rotation system)
Thanks to our space-saving DR system, you can close and secure the Girasole Evolution canopy while sailing.

GIRASOLE EVOLUTION

TOP COVERAGE

Created for large sundecks, the Girasole Evolution offers elegant and functional sun protection.

The Girasole Evolution is the sunshade that becomes an element of design, the crown jewel of Yachting Line's products for mega yachts.

GIGLIO EVOLUTION

DOUBLE COVERAGE

The Giglio Evolution is perfect for large spaces on the upper deck, providing double coverage. Its two canopies are supported by a single lateral pole in stainless steel measuring 88.9 mm and can be opened and closed independently.

SIZE (cm)



250x500
300x600
350x700

Custom sizes available on demand

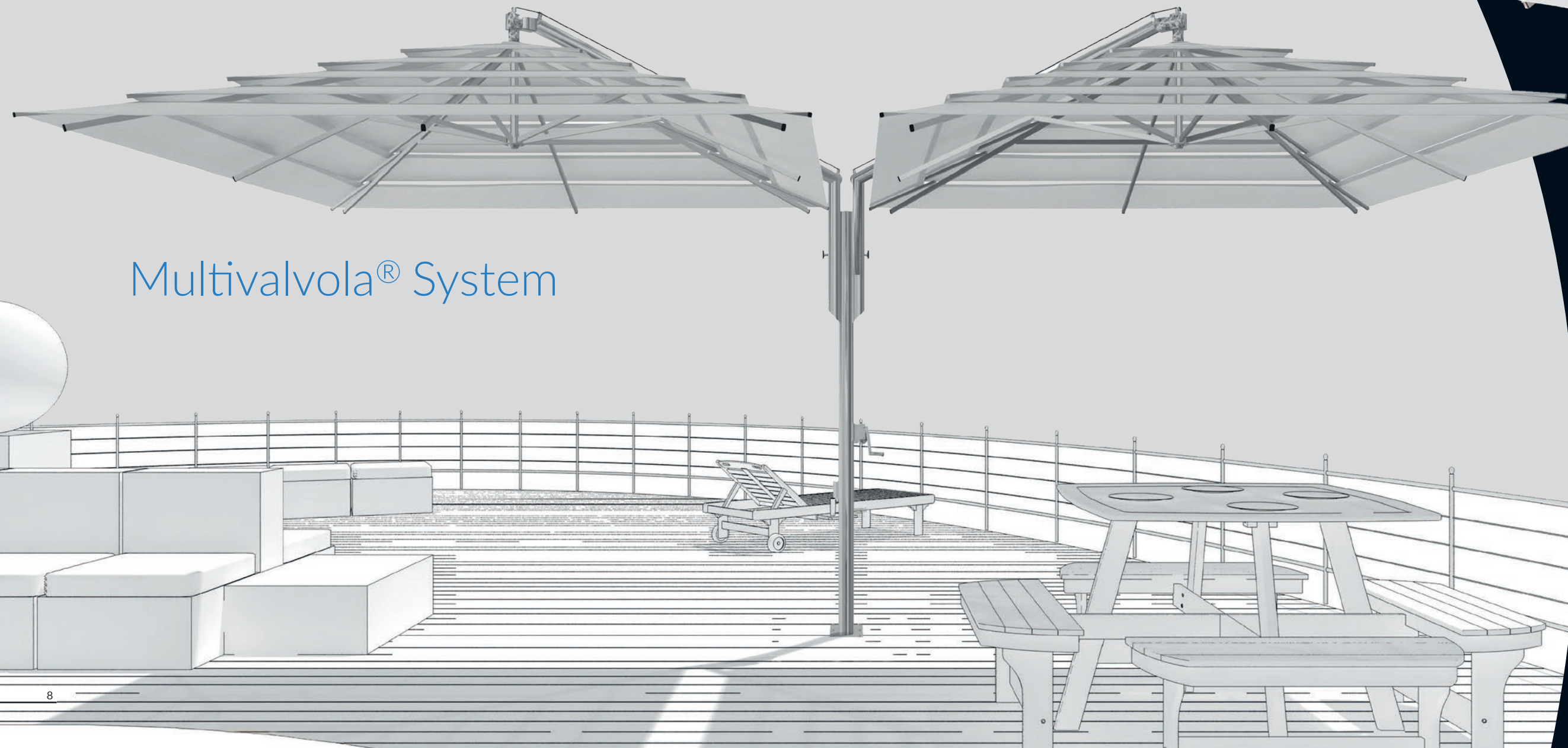
TECHNICAL DETAILS

Canopy	Two canopies Multivalvola® System or Classic
Fabric	Ferrari micro-perforated Soltis®, Ferrari micro-perforated Batyline®, Parà acrylic Tempotest®
Colors	Wide range available from our pattern book
Support	Mirror finished stainless steel AISI 316L (pole: Ø 88,9 mm - upper support: Ø 60,3 mm)
Frame	Anodized aluminum
Opening	Two AISI 316L stainless steel winches
Protective bags	Seatextile® Fabric
DR (opzionale)	With zipper on support

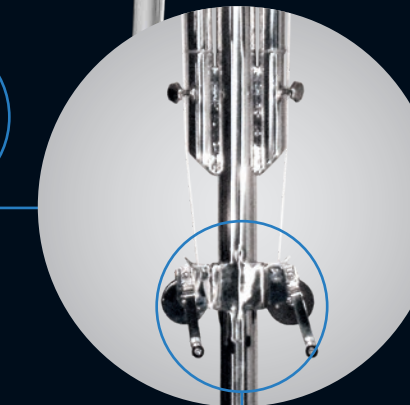
Classic



Multivalvola® System



DR (double rotation system)
With the DR System, Giglio Evolution gives you maximum sun coverage combined with maximum convenience. The canopies can be closed to save space while sailing.



DOUBLE WINCHES
A convenient double-winch system allows you to open and close the two canopies independently.





TECHNICAL DETAILS

Canopy	Multivalvola® System or Classic
Fabric	Ferrari micro-perforated Soltis®, Ferrari micro-perforated Batyline®, Parà acrylic Tempotest®
Colors	Wide range available from our pattern book
Support	<p>Central pole Ø 50 mm:</p> <ul style="list-style-type: none"> • Aluminum oxidized silver • Treated teak wood • Mirror finished stainless steel AISI 316L • Carbon Fiber (only for Classic model in certain sizes)
Frame	Anodized aluminum
Opening	Manual opening
Protective bag	Seatextile® Fabric

SIZE (cm)

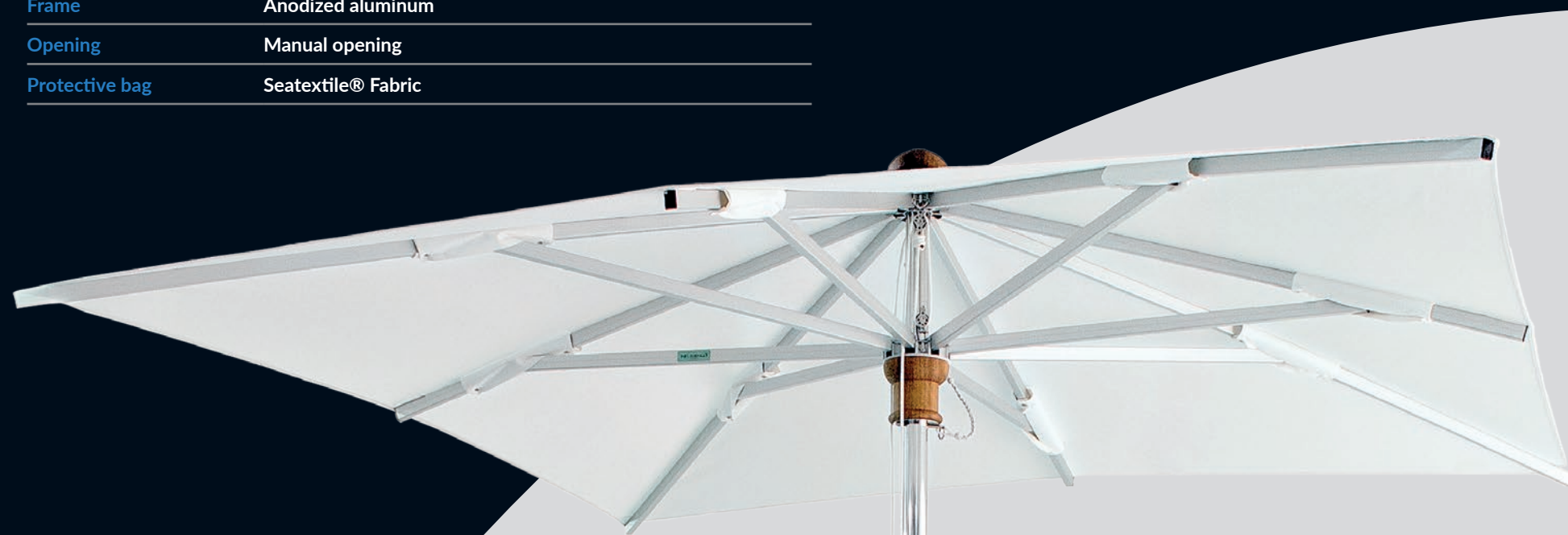
	
250x250	Ø 250
300x300	Ø 300
350x350	Ø 350

Custom sizes available on demand

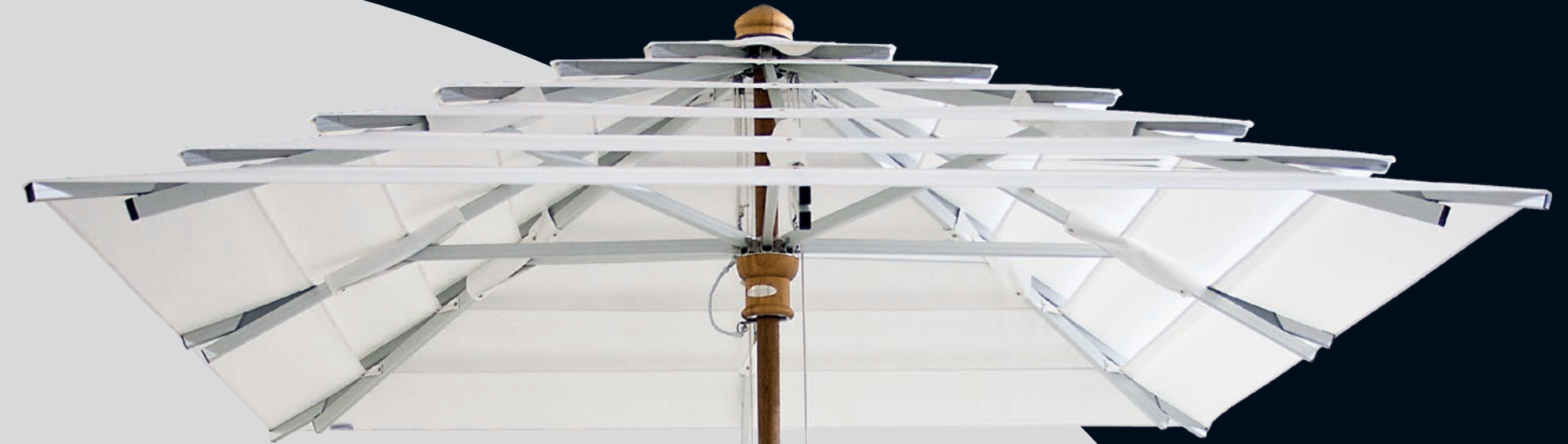
POKER EVOLUTION

CLASSIC TO THE CORE

Poker Evolution is a winner for its unmatched beauty and for the versatility of its central-pole structure. Prized for its design, elegance and practicality, Poker Evolution takes our most classic sunshade to the next step.



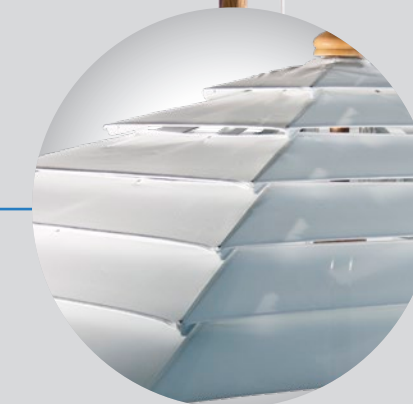
Classic



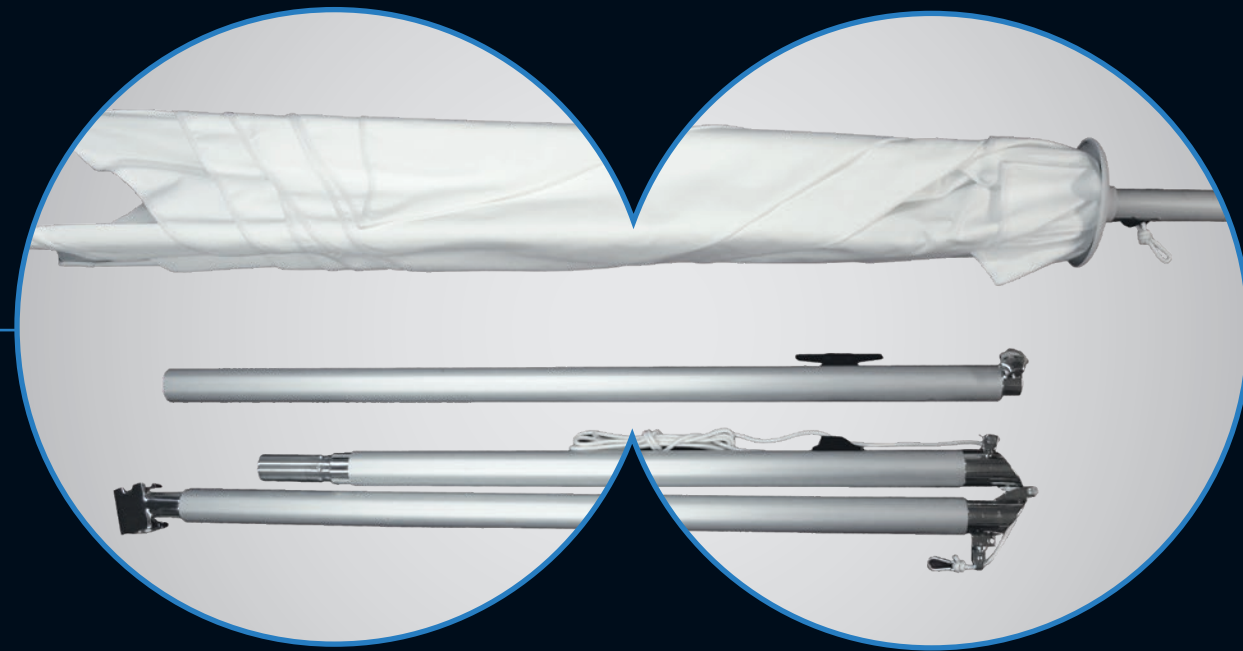
Multivalvola® System

QUALITY MATERIALS

Upon request the supporting structure can be made in oxidized aluminum, teak, stainless steel and carbon fiber.



GIRASOLE EASY



EASY TO STOW

Girasole Easy is the sunshade designed to be quickly assembled or dismantled. Easily stowed, Girasole Easy is ideal for use on swimming platforms and speed boats.

- > Quick assembly
- > Light and versatile
- > Space saving



BAYONET FITTING

The practicality of Girasole Easy is guaranteed by its convenient bayonet fitting that allows you to quickly attach and detach the canopy from the support.



TECHNICAL DETAILS

Canopy	Classic
Fabric	Irisun® Living acrylic
Colors	Wide range available from our pattern book
Support	Mirror finished stainless steel AISI 316L / Anodized aluminium
Frame	4 rods in anodized aluminum
Opening	Manual
Protective bag	Seatextile® Fabric

SIZE (cm)



250x250

SIZE STOWED (cm)

Canopy: 20x20x202
Support: 15x15x155*

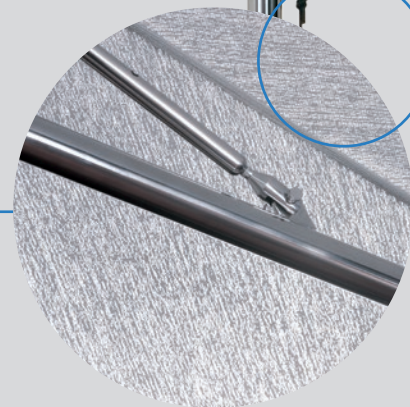
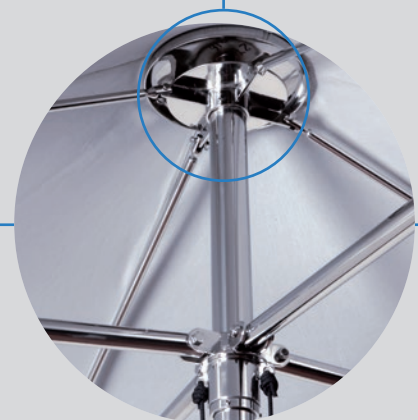
* The length of the support when disassembled may vary based on features of on-board installation.





STRUCTURE IN STAINLESS STEEL

All of Vela Evolution TS's structural components are made of stainless steel to ensure maximum strength and resistance against weathering.



GREAT WIND RESISTANCE

The micro-perforated, tear-resistant, high-tenacity fabric Soltis® is ideal for withstanding strong winds at sea.

TECHNICAL DETAILS

Canopy	Tensile structure
Fabric	Ferrari micro-perforated Soltis®
Colors	Wide range available from our pattern book
Support	Mirror finished stainless steel AISI 316L
Frame	Tubes in mirror finished stainless steel AISI 316L
Opening	Stainless steel winch AISI 316L
Foderi protettivi	Seatextile® Fabric

SIZE (cm)



300x300

VELA EVOLUTION - TS

DESIGNED FOR WIND

Vela Evolution TS's modern and minimalist design, with its sharp tensile structure, challenges even the strongest winds, slicing through the air with extreme precision. This unique piece of design, with its unmatched style, is perfect for decorating the most exclusive mega yachts.



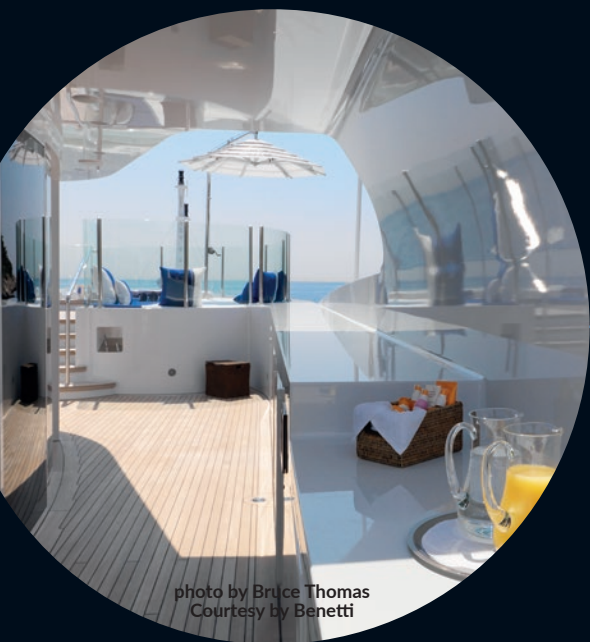


photo by Bruce Thomas
Courtesy by Benetti



photo by Bruce Thomas
Courtesy by Benetti



photo by Bruce Thomas
Courtesy by Benetti

Our sunshades' traditional canopies have been refined and optimized for the specific needs of the marine and yachting industry.

The fabric tension and the reduced thickness of Yachting Line's Classic canopies, together with rock solid structures and quality materials, guarantee maximum wind resistance.

The Classic canopy's look is a tribute to nautical tradition, but with a modern design and straight elegant lines.

Classic

AERODYNAMIC EVOLUTION

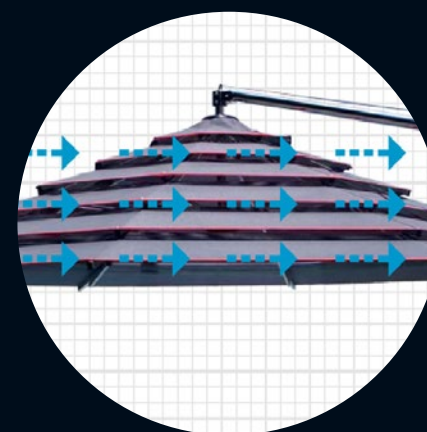
Multivalvola® System

PLAYING WITH THE WIND

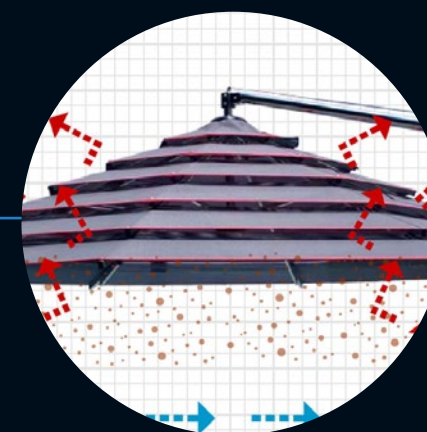
Yachting Line by GardenArt's exclusive patent for the Multivalvola® System is a revolution in sunshades.

The modern and innovative design of the canopy, layered with concentric rings of fabric, allows for air to pass through reducing the sail effect, while ensuring maximum wind resistance.

The passage of warm air through the layers offers unmatched cool areas and shade.



The wind passes through the canopy, offering greater resistance to thrust



The hot air that forms under the canopy is channeled out for maximum ventilation



photo by Thierry Apeller - Courtesy by Benetti



ALL THE COLORS OF EXCELLENCE

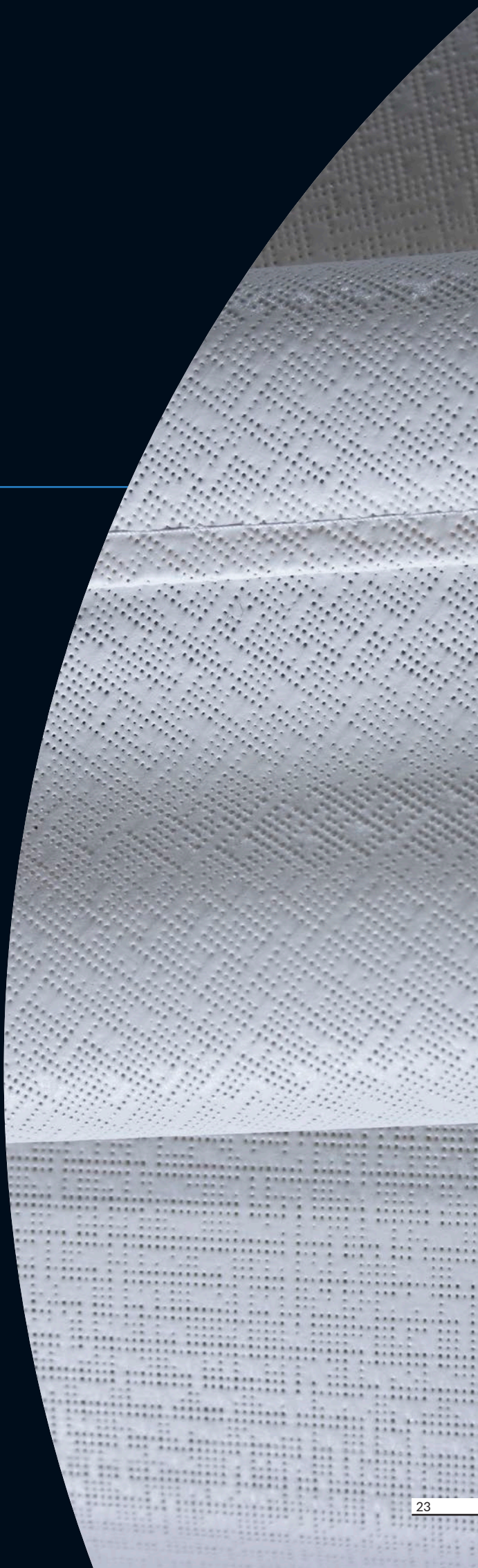
Our wide range of canopy fabrics are the result of our constant pursuit of excellence and premium quality.

All of our fabrics feature **high sun protection, top-notch resistance to salt and wind, the highest level of shade and easy maintenance.** Our fabrics are optimal for use in the marine and yachting industry.

Soltis® 96 and Batyline® ISO are micro-aerated, pre-tensioned, non-deformable, tear-resistant fabrics made of polyester that **block UV rays while evacuating heat** and offering outward visibility.

Tempotest® and Irisun® are elegant fabrics made of 100% acrylic material. Treated with Teflon, **these fabrics are waterproof, stain proof, and weatherproof.**

Yachting Line's sunshades are available in a wide range of both classic and original patterns and colors.



› OUR FABRICS

SOLTIS
96

BATYLINE®

IRISUN®

TEMPOTEST®
ENRA



YACHTINGLINE
marine sunshades

www.yachtingline.it



YACHTINGLINE
marine sunshades

by **Gardenart - Firenze**

manufacturer of the most exclusive marine sunshades.

Tel. +39.055.73.30.420

Fax +39.055.73.30.985

e-mail: info@yachtingline.it

www.yachtingline.it



[pinterest.com/yachtingline](https://www.pinterest.com/yachtingline)